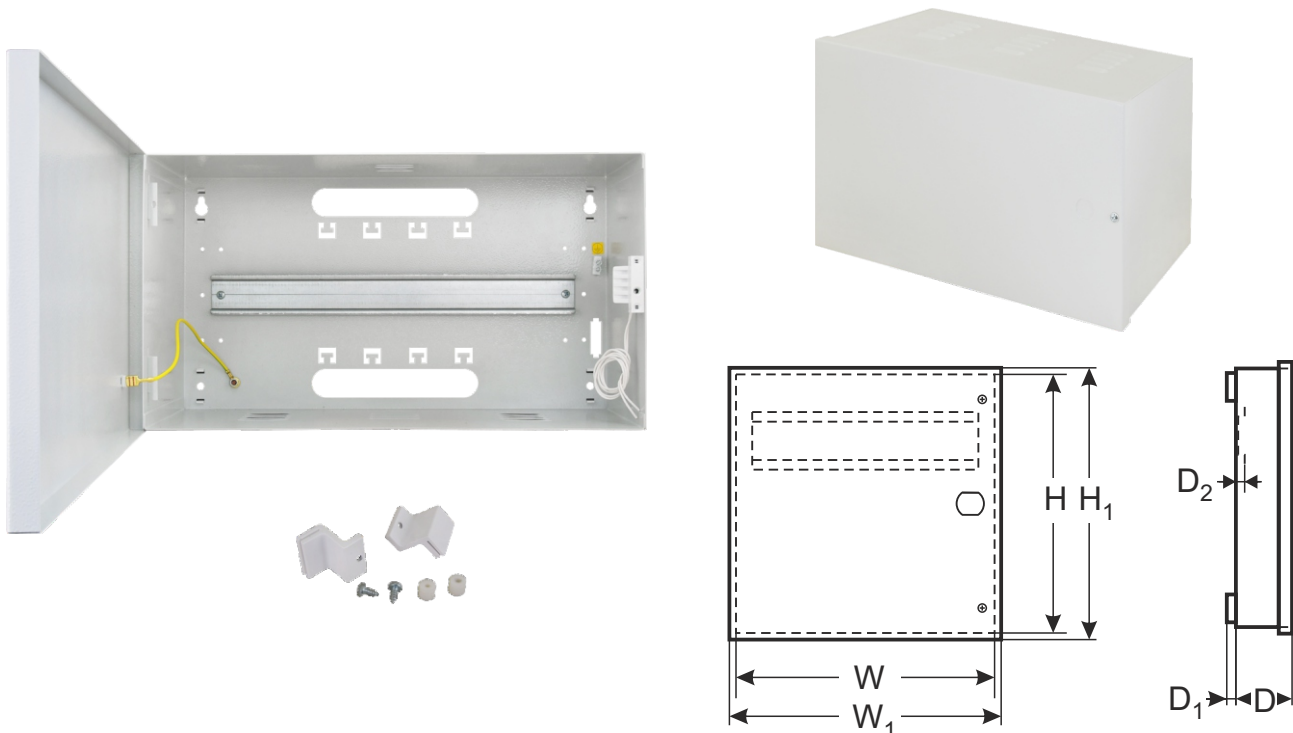


CODE: **AWO611** v.1.1/II
 NAME: **Surface mounted DIN 1/155 enclosure**

EN



APPLICATION

Thanks to its design, the **AWO611** enclosure can be used both as a stand-alone component used for mounting of all DIN rail mounted devices and an element integrating electrical installations, e.g. CCTV, Access Control Systems (ACS), Intrusion Detection Systems (IDS), etc. The enclosure is designed for mounting of (depending on the configuration):

1. Electric fuses of the „S” type
2. Transformers of the following series: **TRP, TRZ** using bracket DIN – AWO466 or AWO467
3. Power supplies of the following series:
 - **PS-15xxx, PS-40xxx, PS-60xxx, PS-100xxx, PS-150xxx, PS-200xxx** using bracket DIN – PSDIN1 or PSDIN2
 - **DINxxx**
4. Built-in buffer power supplies of the following series:
 - **PSB-25xxx, PSB-35xxx, PSB-50xxx, PSB-75xxx, PSB-100xxx, PSB-155xxx, PSB-300xxx**
 - **PSBOC25xxx, PSBOC35xxx, PSBOC50xxx, PSBOC75xxx, PSBOC100xxx, PSBOC155xxx, PSBOC300xxx** using bracket DIN – PSDIN1 or PSDIN2
5. MEAN WELL power supplies for DIN rail of the following series:
 - **MDR, DR, HDR, EDR, NDR, SDR**
 - **DRP, DRH, WDR, TDR, DRC**
 - **DR-UPS40 (buffer module)**
 - **DRDN20, DRDN40, DR-RDN20 (redundant modules)**
6. MEAN WELL built-in power supplies of the following series:
 - **RS, LRS, RD, RSP, HRP, QP, AD, ADD, SCP** using adapter Din DRP-03

PRODUCT DESCRIPTION

Enclosure on the rear wall has holes for mounting 1 DIN rail 320mm long. Rails are mounted directly to enclosure or on plastic brackets that allow separate rail from wall by 20mm. Equipped with a tamper detecting the opening enclosure. Enclosure is screwed from the front, as standard option. Front of enclosure has an embossing for a lock, which allows to assembly a lock with the same code MR027 or with a different code MR008. Plastic 14mm spacers are added to enclosure, which allow moved it from the wall, which allows entry cables to devices mounted in enclosure.

TECHNICAL PARAMETERS

External dimensions of the enclosure:	W=375, H=205, D+D ₁ =155+14 [-/+2mm]
External dimensions of the front panel:	W ₁ =380, H ₁ =210 [+/- 2mm]
Distance of the TH35 DIN rail from the rear wall:	D ₂ =4 or 20 [+/- 2mm]
The number of DIN rails/ length / the number of „S” fields:	1/320mm/18
Weight net/gross:	2,90 / 3,06 [kg]
Battery space:	2x17Ah/12V Sealed Lead Acid (SLA)
Operating environment:	II environmental class, -10°C+ 40°C
Material description:	Sheet metal DC01, thickness: 1mm Corrosion protection Colour: RAL 7035
Destination:	Indoor, surface-mounted
Tamper protection:	1 x microswitch: opening of the enclosure, 0,5 A@50 V DC max. NC/NO – normally closed contacts / normally open
Closing:	screwed: screw x 1, at the front
Notes:	lock assembly possible, distance from the wall (mounting surface) – 14mm
Warranty:	2 year from the production date

Examples of configurations:



Mounting DIN rails on plastic brackets – 20mm (standard equipment)

