

# Biometric & Keypad Covers



STI-6514-S



BIO-7504 & BIO-7505



STI-6521-C

## KEY FEATURES

### General Information

- Protect fingerprint readers, keypads and similar devices from damage and the elements.
- Three year guarantee against breakage of polycarbonate in normal use.

### Design

- Protects keypads, electrical outlets, push buttons and volume and lighting controls from misuse, but allow the devices to remain accessible.

### Construction

- Moulded from tough, clear UV-stabilised polycarbonate material.
- Stainless steel torsion spring (with certain models) maintain cover in a closed position.
- Typical working properties of polycarbonate are -40°C to 121°C (-40° to 250°F)

### Installation

- Retrofittable design for a quick and easy installation.
- Comes complete with mounting hardware and gasket.

### Options

- Certain models are available in a smoke finish polycarbonate for privacy.
- Gasket replacement is recommended at least every five years.

## PRODUCT OVERVIEW

These tough UV-stabilised polycarbonate covers have been designed to protect card readers, access control keypads and similar devices from abuse and accidental damage as well as from the external elements.

## HOW IT WORKS

The Biometric and Keypad Covers are easy to install and are shipped complete with rawl plugs, screws and gasket. Most models retrofit over existing devices and are ideal for applications which require privacy. Simply lift the cover to gain access to the existing device.

# Biometric & Keypad Covers

Dimensions and Technical Information

## MODELS AVAILABLE

<b>STI-6514</b>	Bio Protector - Identification Reader Cover - Clear
<b>STI-6514-S</b>	Bio Protector - Identification Reader Cover - Smoke Finish
<b>STI-6516</b>	Mini Bopper Stopper - Clear
<b>STI-6518</b>	Bopper Stopper -Spring Loaded Hinge - Clear
<b>STI-6520-C</b>	Bio Protector - Identification Reader Cover - Clear
<b>STI-6520-S</b>	Bio Protector - Identification Reader Cover - Smoke Finish
<b>STI-6521-C</b>	Bopper Stopper - for Keyless lock - Clear
<b>STI-6521-S</b>	Bopper Stopper - for Keyless lock - Smoke Finish
<b>STI-6522-C</b>	Bopper Stopper - Clear
<b>STI-6522-S</b>	Bopper Stopper - Smoke Finish
<b>STI-7504</b>	Snooper Stopper - Clear
<b>STI-7505</b>	Snooper Stopper - Smoke Finish
<b>BIO-7504</b>	Bio Protector - Identification Reader Cover - Clear
<b>BIO-7505</b>	Bio Protector - Identification Reader Cover - Smoke Finish
<b>STI-7700</b>	Polycarbonate Cover with Open Back Box
<b>STI-7710</b>	Polycarbonate Cover with Open Back Box and Lock
<b>STI-7720</b>	Polycarbonate Cover with Enclosed Back Box
<b>STI-7730</b>	Polycarbonate Cover with Enclosed Back Box, Gasket and Lock

MODEL	INTERNAL HEIGHT	INTERNAL WIDTH	INTERNAL DEPTH
<b>STI-6514 (-S)</b>	75mm	91mm	65mm
<b>STI-6516</b>	82mm	93mm	51mm
<b>STI-6518</b>	128mm	81mm	52mm
<b>STI-6520 (-C &amp; -S)</b>	161mm	84mm	76mm
<b>STI-6521 (-C &amp; -S)</b>	161mm	84mm	76mm
<b>STI-6522 (-C &amp; -S)</b>	117mm	84mm	76mm
<b>STI-7504/7505</b>	171mm	222mm	101mm
<b>BIO-7504/7505</b>			127mm
<b>STI-7700/7710</b>	121mm	210mm	50mm
<b>STI-7720/7730</b>			

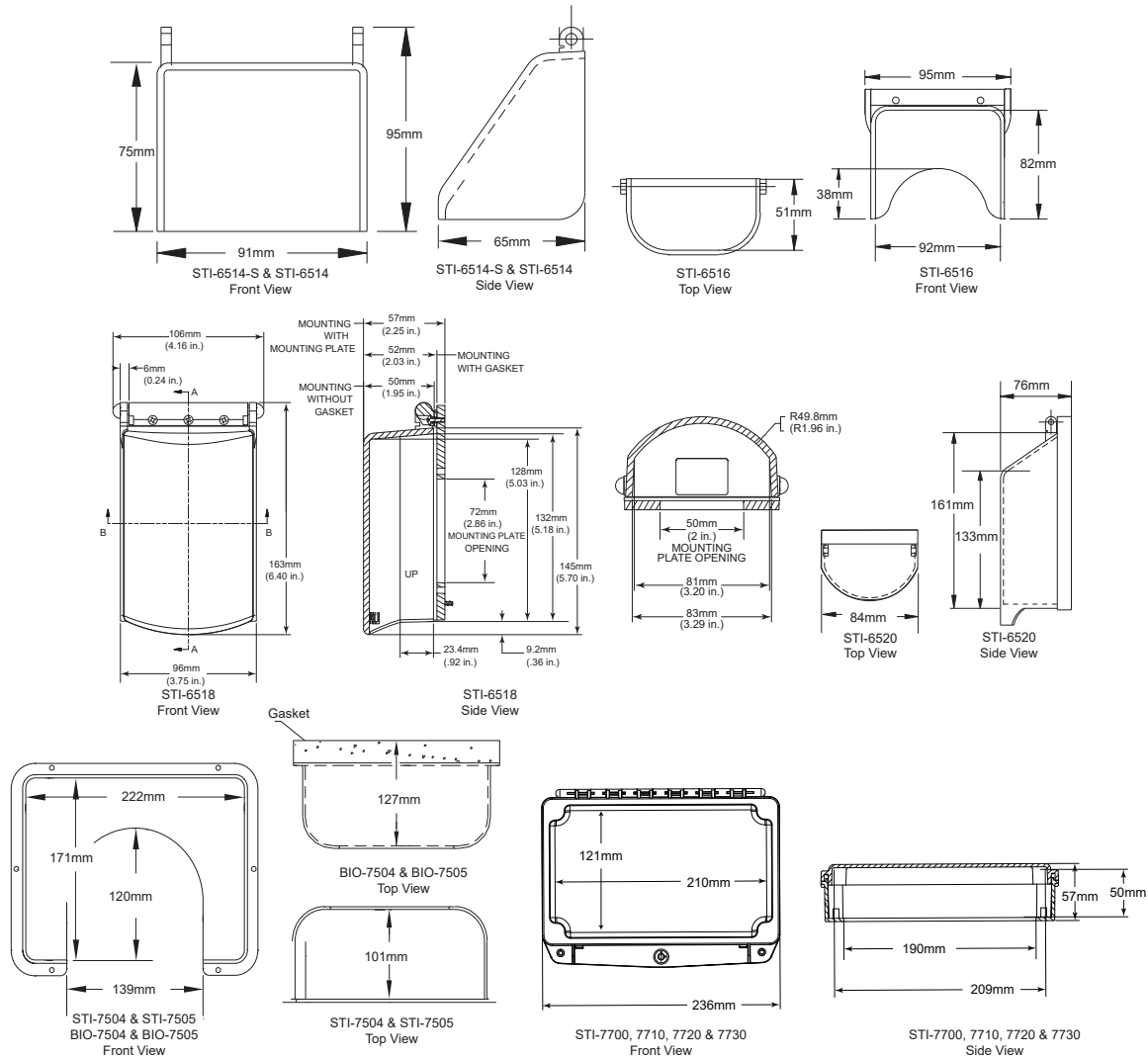
## APPROVALS

Tested and approved or listed by:

- Underwriter Laboratories No. S7255 & No. S2466 (STI-6518)
- Canadian Underwriter Laboratories No. S7255 & No. S2466 (STI-6518)
- California State Fire Marshal approval not required
- ADA Compliant (STI-6516)

## IMPORTANT NOTICE

STI recommends replacement of gasket at least every five years for outdoor applications.



**Safety Technology International**

Taylor House  
34 Sherwood Road  
Bromsgrove  
Worcestershire  
B60 3DR, England

Tel: +44 (0)1527 520 999  
Fax: +44 (0)1527 501 999  
info@sti-emea.com  
www.sti-emea.com

2306 Airport Road  
Waterford, Michigan  
48327, USA

Tel: 248-673-9898  
Fax: 248-673-1246  
info@sti-usa.com  
www.sti-usa.com