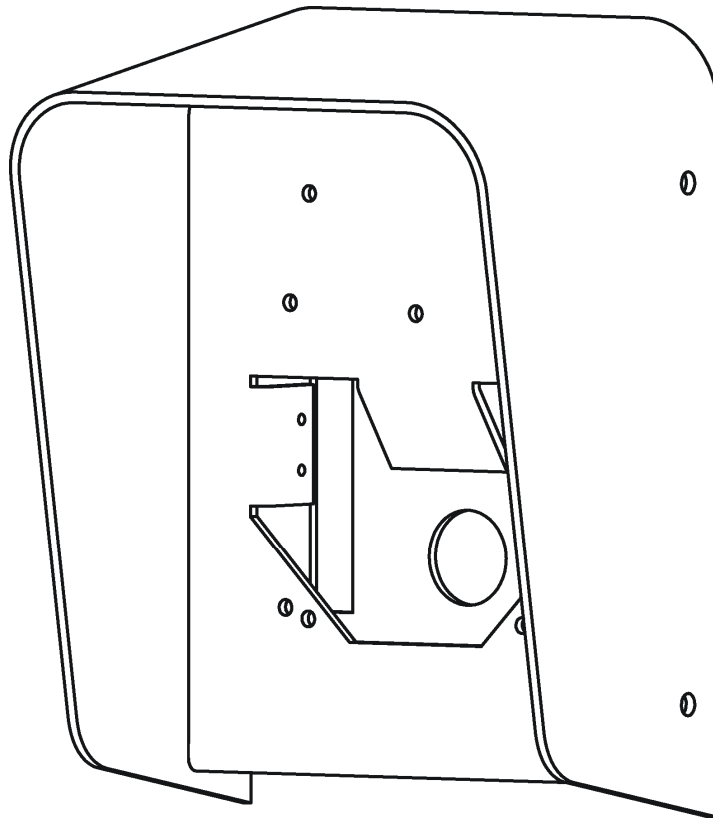


Roger Access Control System

User manual for ME-9 metal enclosure

Product version: v1.0

Document version: Rev. F



1. INTRODUCTION

ME-9 is metal enclosure dedicated to protect proximity reader against weather conditions and increase its resistance to mechanical damage. The enclosure is adapted to installation of MCT66 type , MCT64 type and MCT82 type readers. ME-9 is made of powder coated stainless metal sheet. The enclosure is factory equipped with tamper contact to enable detection of dismounting or detachment from wall.

Table 1. Specification	
Parameter	Value
Tamper contact	30VDC/0.5A
Dimensions (H x W x D)	149,6 x 111,2 x 75,8 mm
Weight	0,310 kg

2. INSTALLATION

ME-9 enclosure consists of two parts: internal (panel) for reader mounting and external (base) for the enclosure mounting to wall. Separate the panel and base prior to enclosure installation. Mount the base on the wall and run cable through dedicated hole in the base. Connect wires to the reader and attach the reader to the panel. Then install the panel inside the enclosure using two screws (fig. 2). In order to hinder unauthorized detachment, both parts of the enclosure can be secured with blind rivet. The hole for such rivet is provided between panel mounting screws (fig. 2).

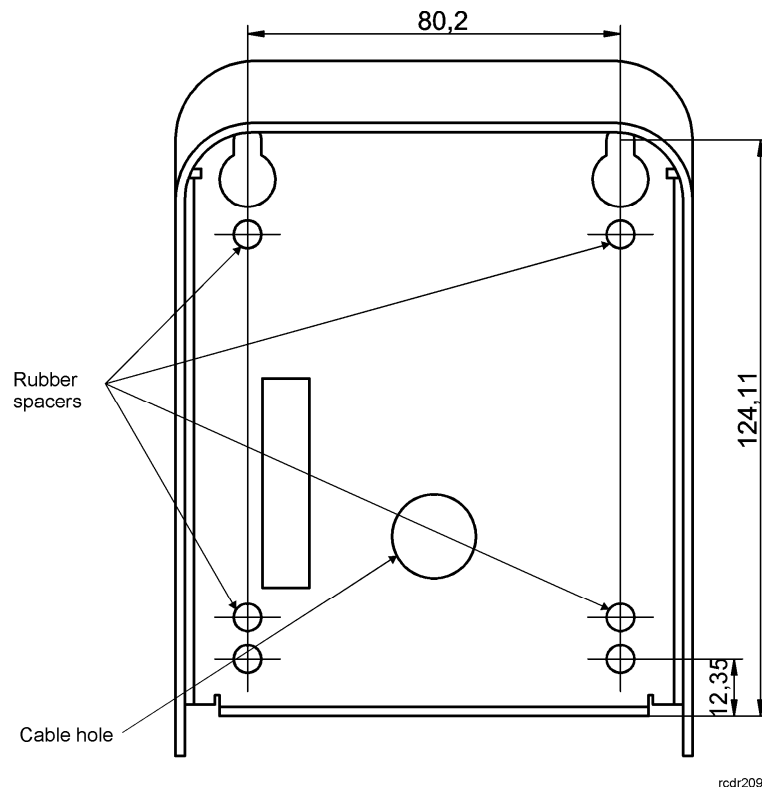


Fig.1 ME-9 enclosure

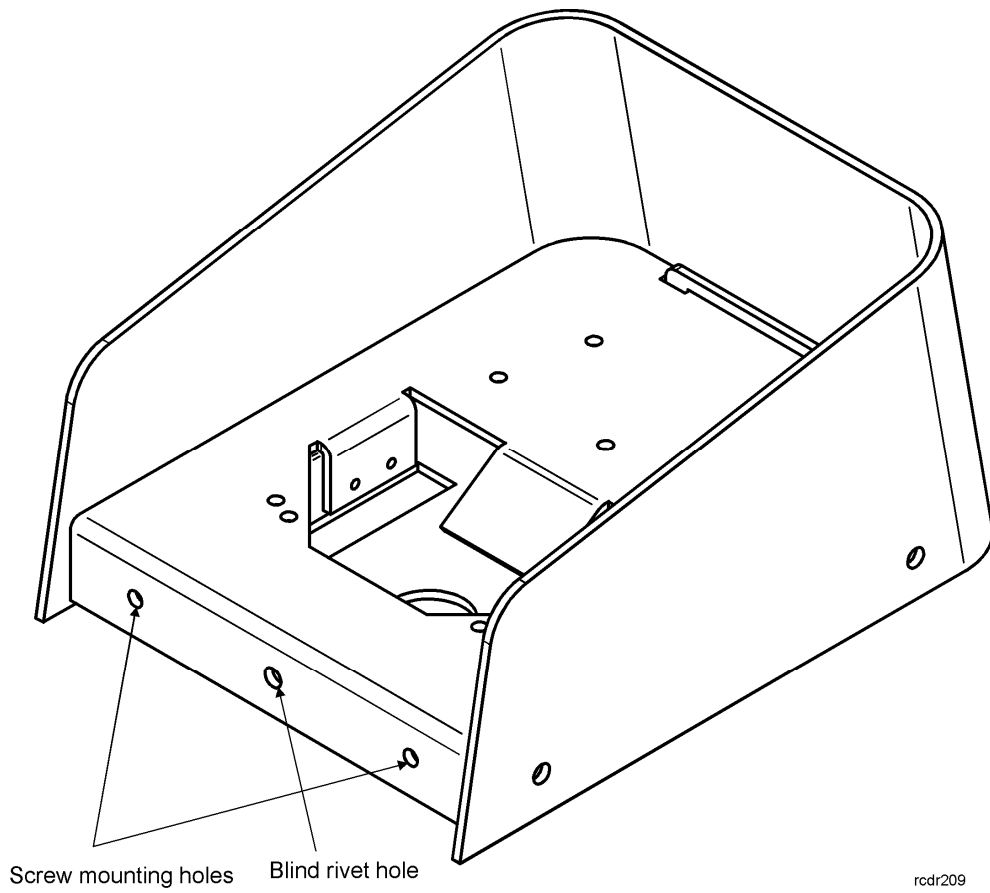


Fig.2 Attachment of ME-9 panel to the base

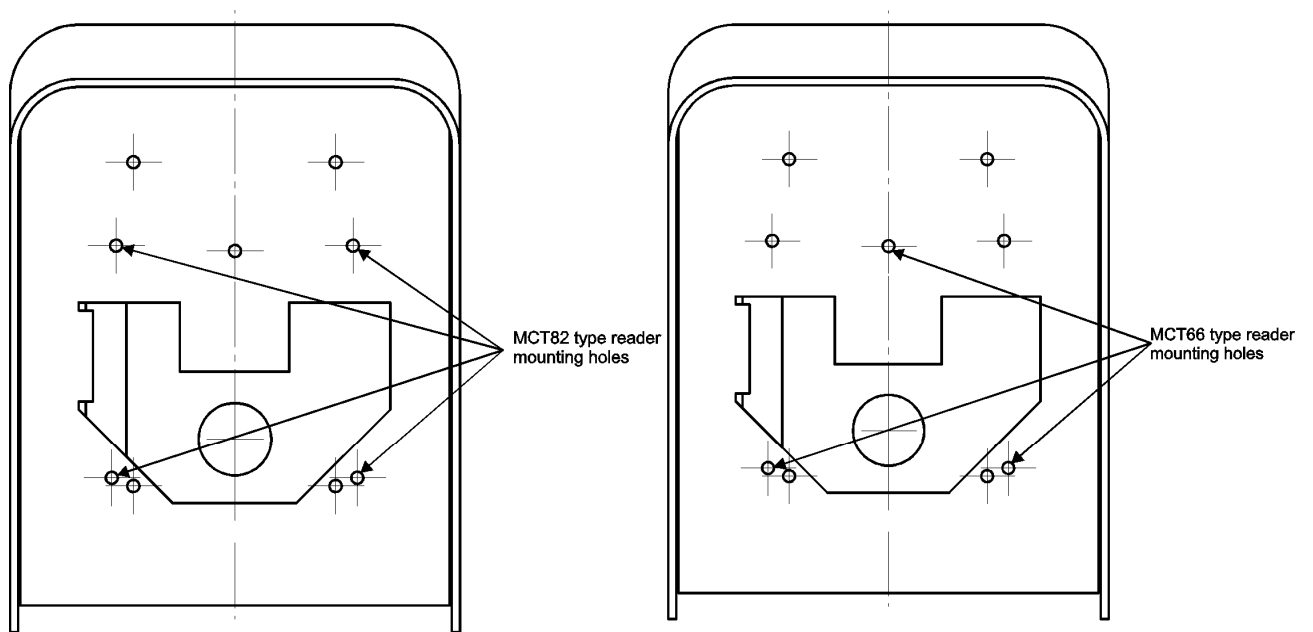


Fig. 3 Arrangement of mounting holes for MCT82 type and MCT66 type readers

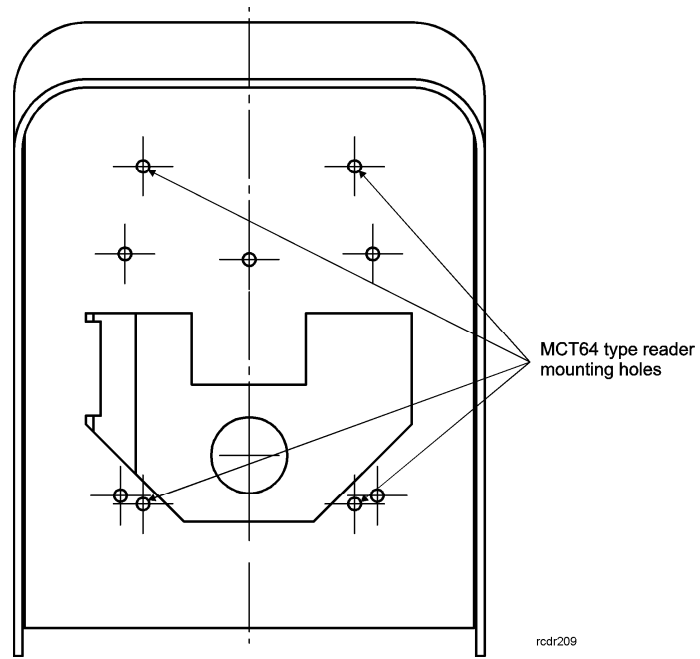


Fig. 4 Arrangement of mounting holes for MCT64 type readers

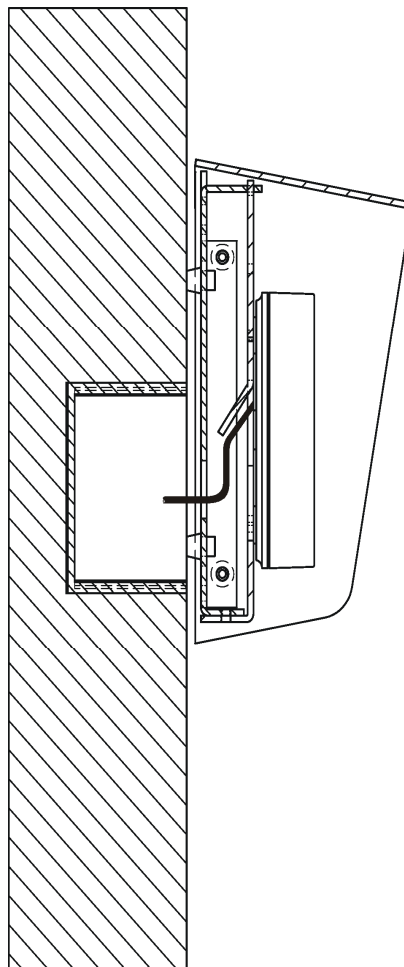


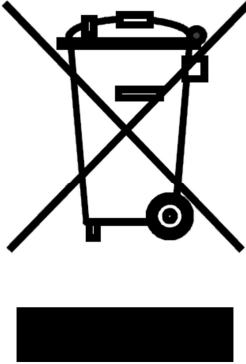
Fig. 5 Cable run in ME-9 enclosure panel and base

3. ORDERING INFORMATION

Product	Description
ME-9	Metal enclosure

4. PRODUCT HISTORY

Product version	Released	Description
ME-9 v1.0	04/2016	The first commercial version of the product

	<p>This symbol placed on a product or packaging indicates that the product should not be disposed of with other wastes as this may have a negative impact on the environment and health. The user is obliged to deliver equipment to the designated collection points of electric and electronic waste. For detailed information on recycling, contact your local authorities, waste disposal company or point of purchase. Separate collection and recycling of this type of waste contributes to the protection of the natural resources and is safe to health and the environment. Weight of the equipment is specified in the document.</p>
--	---

Contact:
Roger sp.j.
82-400 Sztum
Gościszewo 59
Tel.: +48 55 272 0132
Fax: +48 55 272 0133
Tech. support: +48 55 267 0126
E-mail: support@roger.pl
Web: www.roger.pl