

## DESTINATION

The AWB series enclosures are designed to protect electronic and electrical devices from water, dust, and mechanical damage.

The AWB series enclosures are made of ABS with an IP66. They are equipped with a mounting plate featuring square perforations for easy installation of devices and flexible arrangement of components inside the enclosure. With their durable construction, they ensure the safety and reliable operation of mounted components.

Hermetic enclosures are available with different sizes. They are designed for a variety of applications in many industries, including:

- security systems - for protecting alarm devices, access control or CCTV monitoring
- industrial automation - for the protection of control and executive devices
- telecommunication installations - to protect telecommunication devices
- electrical installations - protection of electrical equipment (electrical switchboards)

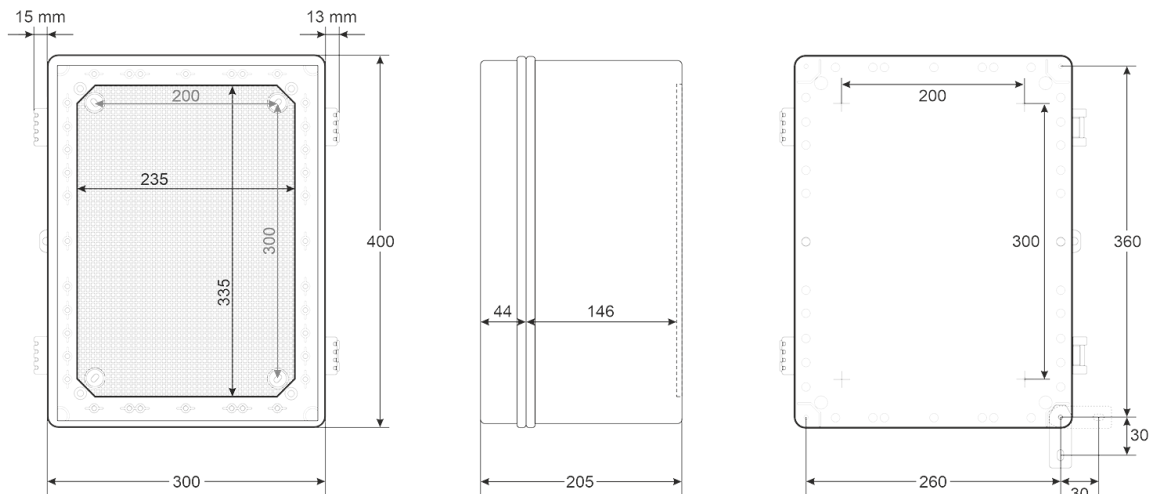
## TECHNICAL DATA

### Mechanical parameters:

<b>Dimensions:</b>	300 x 400 x 205 [mm, +/-2]
<b>Mounting plate:</b>	235 x 335 [mm, +/-2] integrated mounting plate with square perforation
<b>Material:</b>	ABS plastic, light grey,
<b>Closing:</b>	plastic snap buckle - 2 pcs.
<b>Destination:</b>	indoor
<b>Weight:</b>	2.35 / 2.92 [kg]
<b>Notes:</b>	2 plastic hinges included 4 additional mounting brackets seal hole gasket is installed in the enclosure cover
<b>Warranty:</b>	2 years
<b>Declaration:</b>	CE

### Operating parameters:

<b>Protection grade EN60529:</b>	IP 66
<b>Operating conditions:</b>	-20°C ... +60°C
<b>Storage temperature:</b>	-20°C ... +60°C
<b>Relative humidity:</b>	up to 95% , without condensation
<b>Sinusoidal vibrations during operation:</b>	unacceptable
<b>Impulse waves during operation:</b>	unacceptable
<b>Direct insolation:</b>	unacceptable
<b>Vibrations and impulse waves during transport:</b>	PN-83/T-42106





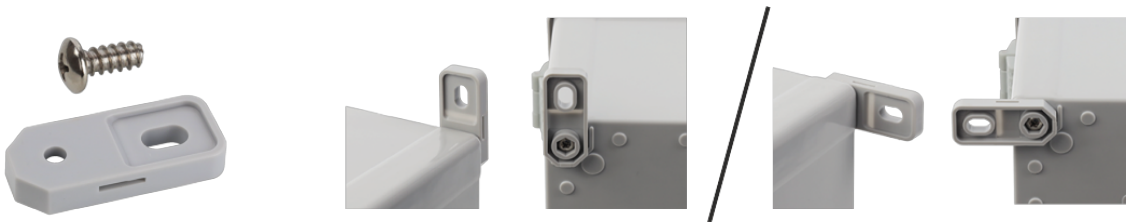
## Installation

The enclosure can be mounted in two ways: First, through the mounting points inside the enclosure, allowing for direct and stable attachment to the surface (it is important to properly seal the mounting screws to maintain the enclosure's IP66 protection).



Second, using 4 additional mounting brackets included in the set. Proper installation ensures the enclosure maintains the declared IP66 protection.

**4x**



## Cable installation

To maintain IP66 protection of enclosure, ML145, ML146 or ML147 glands should be used. They guarantee effective protection against water, dust and other pollution, providing adequate hermeticity.

ML146 - M12x1,25, Ø 3-6,5mm

ML147 - M16x1,5, Ø 4-8mm

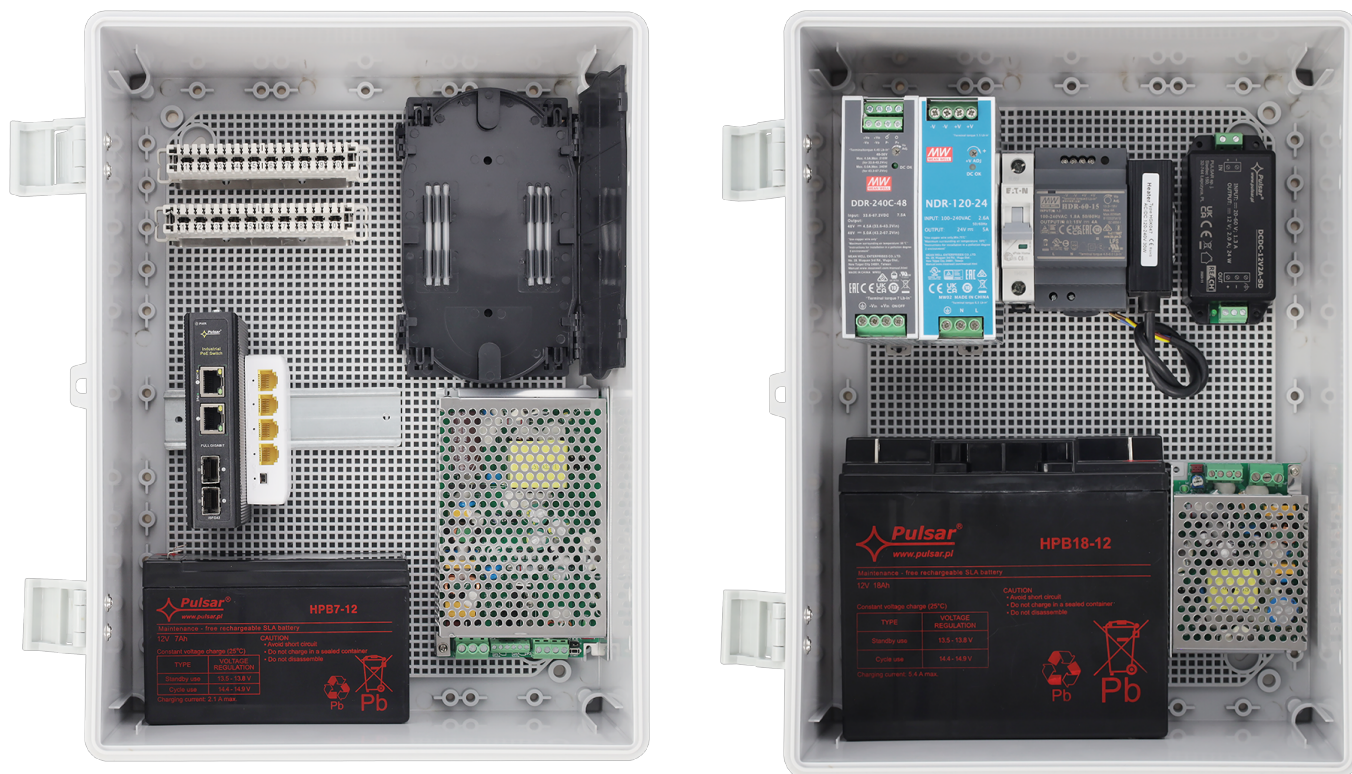
ML145 - M20x1,5, Ø 6-12mm



## Closing / Raster



## Examples of application



## AWB series enclosures

Code	Dimensions WxHxD [+/-2mm]	Mounting plate dimensionsj W <sub>1</sub> xH <sub>1</sub> [+/-2mm]	Closing / Hinges	Mounting to the surface	Accessories: glands / Pole mounting bracket
<b>AWB171711</b>	177x177x103	160x160 removable	bolted 4 screws	direct	ML145/146/147
<b>AWB281913</b>	190x280x130	160x250 removable	bolted 4 screws	direct	ML145/146/147 / USH-1
<b>AWB382813</b>	280x380x130	250x350 removable	bolted 4 screws	direct	ML145/146/147 / USH-1
<b>AWB403020</b>	300x400x205	235x335 integrated	snap buckle - 2pcs hinges - 2pcs	direct / adapters - 4pcs	ML145/146/147 / USH-1
<b>AWB504020</b>	395x500x200	350x450 integrated	snap buckle - 2pcs hinges - 2pcs	direct / adapters - 4pcs	ML145/146/147
<b>AWB604022</b>	395x600x225	370x570 removable	snap buckle - 3pcs hinges - 3pcs	direct / adapters - 4pcs	ML145/146/147

Pulsar sp. j.  
Siedlec 150, 32-744 Lapczyca, Poland  
Tel. +48-14-610-19-45  
[www.pulsar.pl](http://www.pulsar.pl)  
e-mail: sales@pulsar.pl

