

### Features:

- Adjustable spacing (20 mm - 270 mm)
- Weather-resistant

### 1. General description.

The bracket is designed for mounting hermetic enclosures on poles and masts. The bracket ensures the stability of the enclosure, and is adapted to the weight of the enclosure as well as the weather conditions (1,5 mm sheet metal, electro-galvanised).

It is dedicated to solutions for:

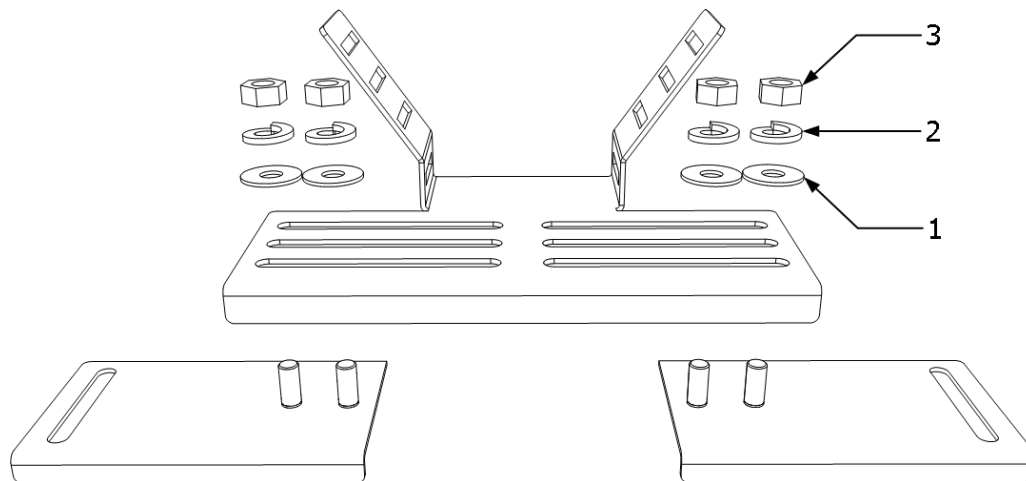
- security systems - mounting of surveillance cameras and alarm systems on poles
- telecommunications - mounting of telecommunication cabinets on poles and masts
- industrial automation - pole mounting of control cabinets and automation equipment

Note: for mounting the bracket, steel ties with appropriate load capacity are required.

### 2. Technical data.

<b>Dimensions</b>	L=290, W=58, H=60 [+/- 2 mm]
<b>Net/gross weight</b>	0,72 / 1,00 [kg]
<b>Material</b>	steel DC01+ZE, thickness: 1,5 mm, electro-galvanised
<b>Destination</b>	outdoor / indoor
<b>Notes</b>	- Set of 4 M4 and M5 screws included (screw, spring washer, washer, nut) - M6 nut mounting kit (washer, spring washer, nut)
<b>Warranty</b>	2 years

### 3. Installation of bracket.



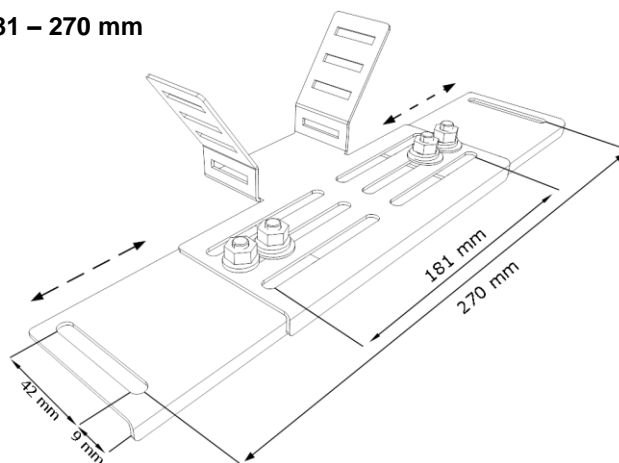
*Fig. 1. Installation of bracket*

*Table 1. Description of mounting components (Fig. 1).*

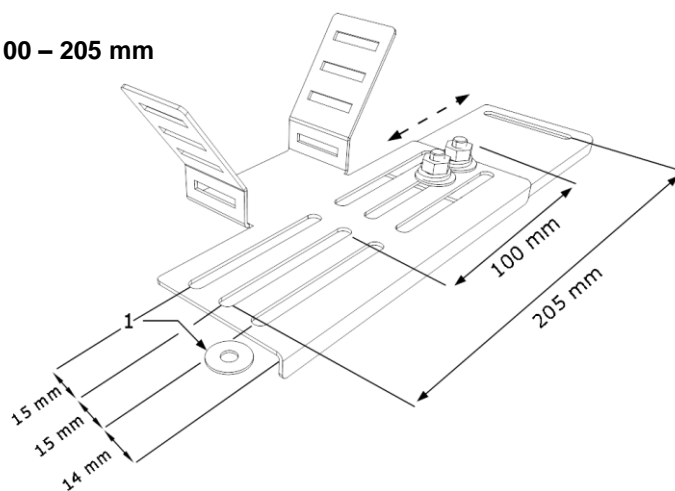
Element no.	Description
[1]	M6 washer
[2]	M6 spring washer
[3]	M6 nut

## 4. Configuration:

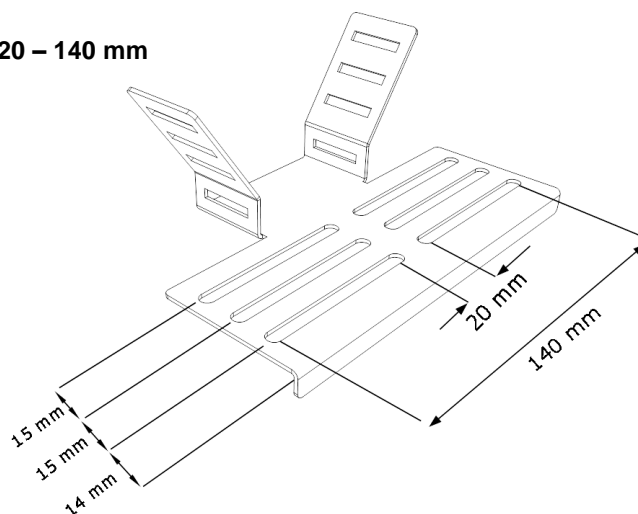
### 4.1 Hole spacing 181 – 270 mm



### 4.2 Hole spacing 100 – 205 mm



### 4.3 Hole spacing 20 – 140 mm



### Pulsar sp. j.

Siedlec 150,  
32-744 Łapczyca, Poland  
Tel. (+48) 14-610-19-45  
e-mail: [sales@pulsar.pl](mailto:sales@pulsar.pl)  
http:// [www.pulsar.pl](http://www.pulsar.pl)

